



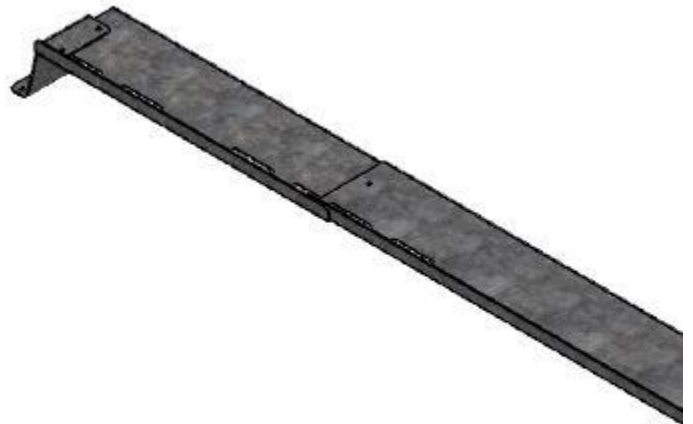
## Installation Instructions for Tarp Doors

### Tools needed

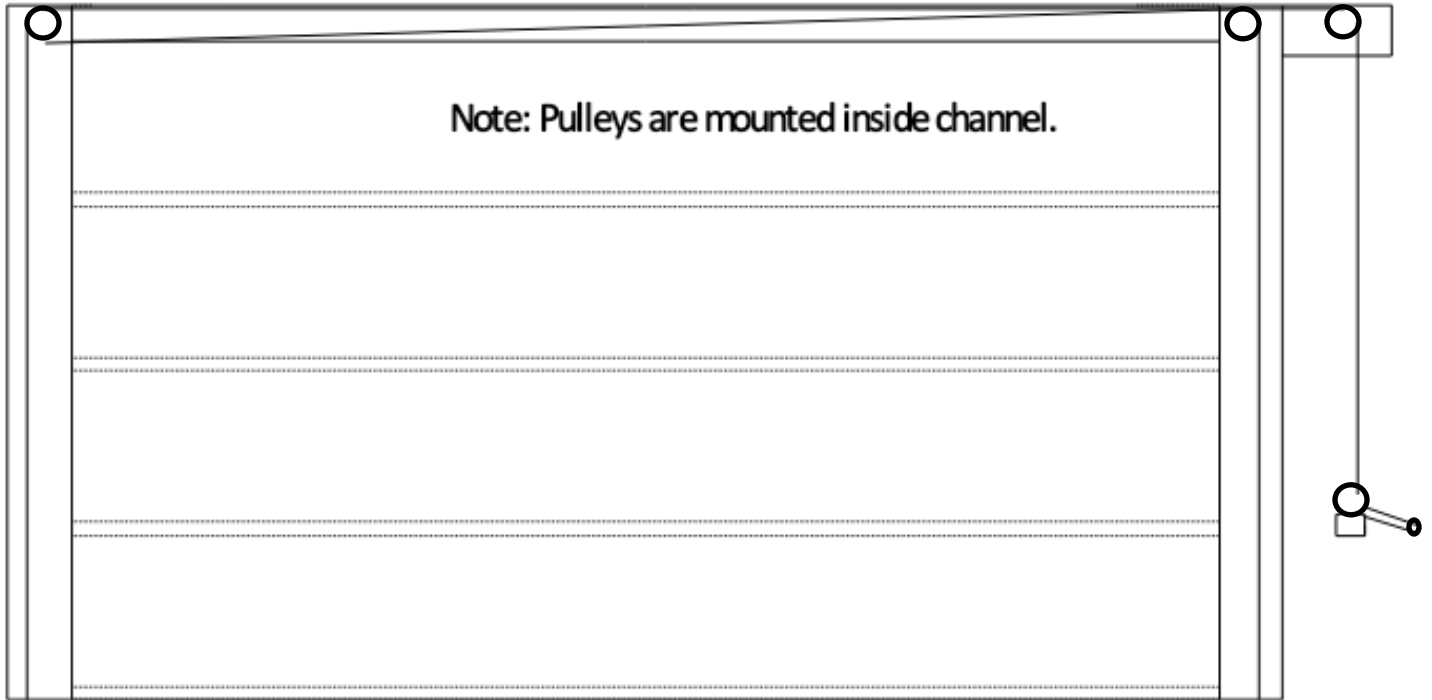
7/16 Nut Driver, Cable Cutter, Utility Knife, Cordless Drill and Impact, Socket Set

---

1. First you will have to frame all the openings. Refer to the opening drawing diagram.
2. Next you will have to cut a galvanized pipe that is the width of the tarp. Slide this pipe into the top hem.
3. You will then be ready to hang the tarp. Lift the tarp up into place and make sure it reaches to the floor. Divide up the tarp on each end so you have around 5 ¾ lap on each side of the door. Fasten a tarp clamp on each end with 1 ¾ SS lags and around every 3' the width of the tarp.
4. Then you can slide the aluminum tubes into the other hems. Make sure they are the right length so the cables will slide thru the holes on the plastic cable swivels.
5. You are now ready to mount the door channels. These can be overlapped so you don't need to do any cutting. Temporarily hang the bottom sections with one 5/16x1 ½ lag so you can still slide the top sections in behind if needed to get slots to line up. There are 5/16x1 bolts supplied for the joints and to fasten the high profile bracket at the top of the door. You will also need to fasten the pulleys on the top channel before you mount the top section. Mount the double pulley on the opposite side that you want to mount the winch. This pulley is fastened on the inside of the channel. Finish installing the channels with the galvanized lags.
6. Next you will be able to hang the winch and all the pulleys needed to get the cable to the winch with galvanized lags. NOTE: Winch can be mounted on the metal channel also if that is desired. You will then need a sidewall pulley mounted both on the inside and outside of the channel on the side where you want the winch.
7. Now you are ready to install the cables. Guide the cables up thru the cable swivels on each end of the pipes and take around the pulleys to the winch. Refer to the diagram. In some cases, where a door is wider than 22 feet there will need to be pulleys mounted in the center of the door also so the pipes don't bend down in the center.



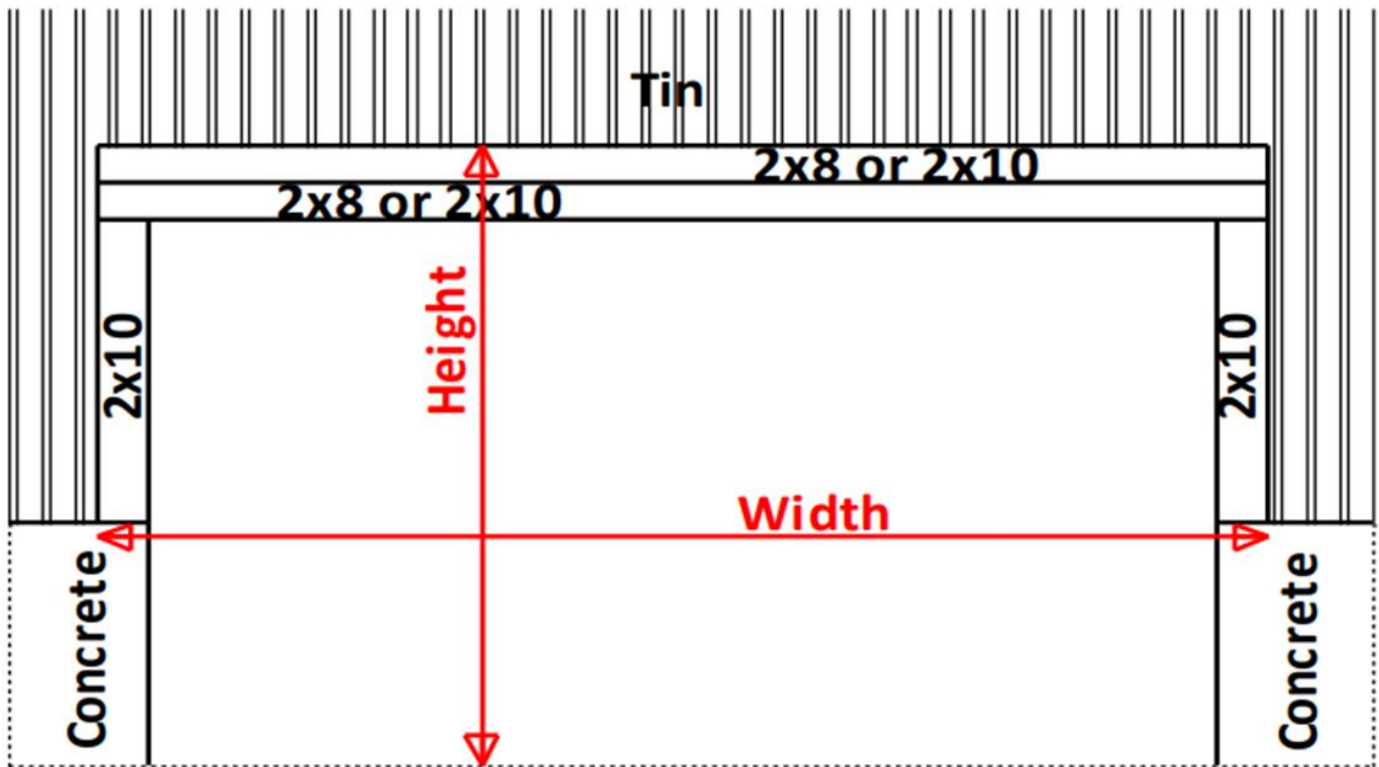
## Double Pulley



If you have any problems call us at [519-501-8919](tel:519-501-8919)

## Tarp Door Opening Framing Instructions

There has to be a 9 1/4 flat surface at the sides of the door. It is recommended to put J channel around this flat surface if needed. If the door is less than 10 feet high only one 2x10 is needed at the top. If it is less than 14 feet high only two 2x8s are needed. If it is any higher use two 2x10s. **INSTALL A CURTIAN COVER IF NEEDED BEFORE TIN OR BARN BOARDS.** The framing lumber can be capped if that is desired. To give us the door size measure from the top of lumber to the floor for the height and the outer edges of the 2x10s at the sides for the width.





## The economical door choice

Tarp doors are commonly used in beef and dairy barns, sheds, manure storage areas and a host of other applications, and they come in a heavy 18 oz material. Powder coated metal channels are used at the sides to hold the tarp in place. Aluminum tubes every 34 inches help stabilize the door in high winds.



## Maximize your headroom

Roll Up Tarp Doors have all the benefits of our standard doors, but also come with some added features. The tarp winds completely under the cover at the top, which can be color customized to match your barn.

Our Roll Up Tarp Doors are ideal for applications where less headroom is available for the tarp to fold up. Optional UV treated weather seal is available around the door for even better insulation and less wind noise.

This model is available in widths up to 24 feet, and heights all the way up to 22 feet. We can also install your door with an optional high speed drive and opener for added convenience and efficiency.